

## 1000 inox Serinin Teknik Özellikleri

### Technical Features of 1000 inox Series Rotary Joint



- **Özellikler / Specifications**

1/4 " (DN 08 ) – 2 "(DN 50)

Tek Veya Çift Akışkan Geçişli / **Single or Double Fluid Transfer**

Balanslı Sızdırmazlık Grubu / **Balanced Sealing Group**

Kolay Değişimli Sızdırmazlık Parçaları / **Easy Changeable Sealing Components**

Çelik Gövde / **Stainless Steel Housing**

Diş Bağlantılı ve Flanş Bağlantılı Seçenekler / **Thread or Flange Connections**

Paslanmaz Çelik Şaft / **Stainless Steel Shaft**

Su,Sıcak Su ve Gıda Sektöründe Kullanılır / **Applicable to Water , Hot Water and Food Industry**

- **Çalışma Limitleri / Operating Ranges**

Maksimum Su Basıncı / **Maximum Water Pressure: 50 Bar**

Maksimum Su Sıcaklığı / **Maximum Water Temperature: 60 °C**

Maksimum Sıcak Su Basıncı / **Maximum Hot Water Pressure: 5 Bar**

Maksimum Sıcak Su Sıcaklığı / **Maximum Hot Water Temperature: 90 °C**

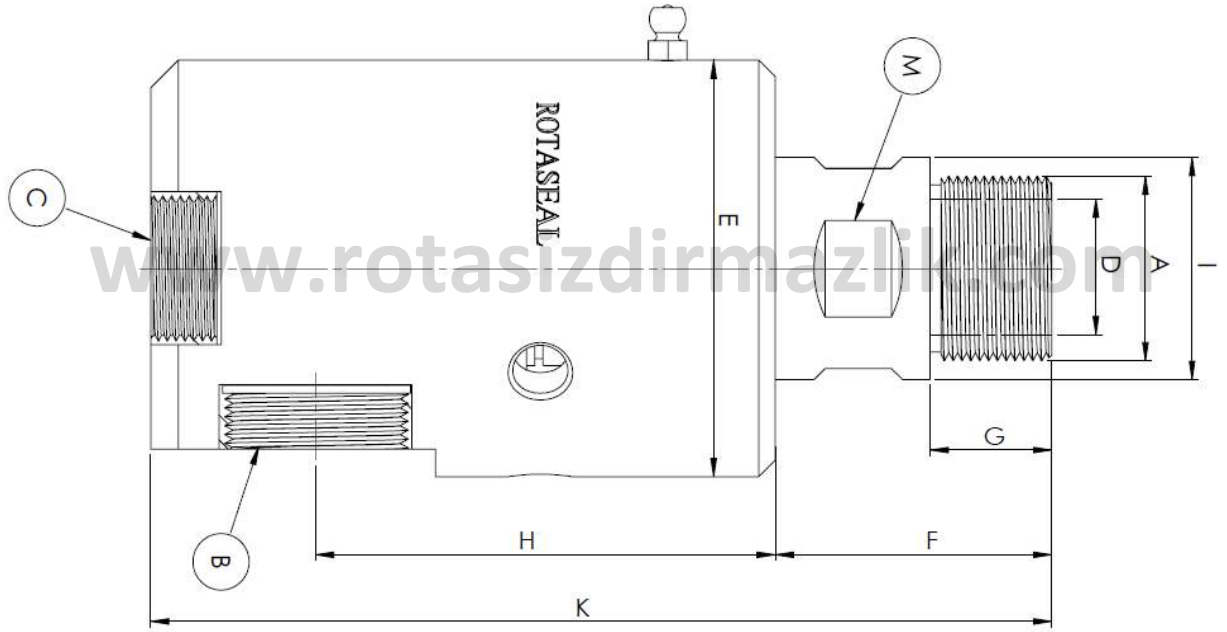
Maksimum Hız / **Maximum Speed :**

**DN08-DN15 ... 3500 Devir/ Dk ( Rev./min)**

**DN20-DN25 ... 3000 Devir/ Dk ( Rev./min)**

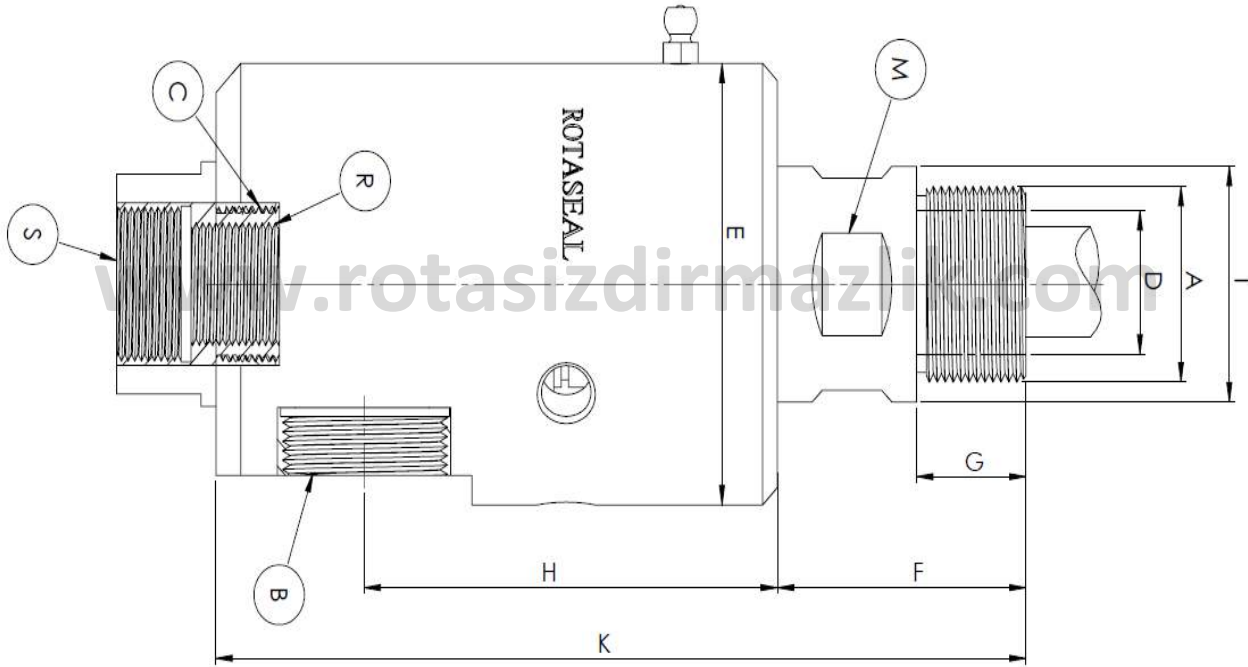
**DN32-DN40 ... 2750 Devir/ Dk ( Rev./min)**

**DN50 ... 1250 Devir/ Dk ( Rev./min)**



### 1000 inox SERİSİ TEK AKIŞLI / MONOFLOW

A		1000 inox											
ŞAFT ÖLÇÜSÜ (Shaft Size)	ŞAFT DIŞ TİPİ ( Thread Type of Shaft)	MODEL NO	B	C	D	E	F	G	H	I	K	M	KG ≈
DN10	NPT-SAĞ (RH)	1037ix-021-105	3/8"	1/4"	10	45	30	14	59	22	110	19	0,7
	NPT-SOL (LH)	1037ix-021-106											
	BSP-SAĞ(RH)	1037ix-021-205											
	BSP-SOL(LH)	1037ix-021-206											
DN15	NPT-SAĞ(RH)	1050ix-021-107	1/2"	3/8"	15	53	33	15	66	25	121	22	1,4
	NPT-SOL(LH)	1050ix-021-108											
	BSP-SAĞ(RH)	1050ix-021-207											
	BSP-SOL(LH)	1050ix-021-208											
	METRİK 20x1,5 SAĞ(RH)	1050ix-021-307											
	METRİK 20x1,5 SOL(LH)	1050ix-021-308											
DN20	NPT-SAĞ(RH)	1075ix-021-109	3/4"	1/2"	20	66	38	18	70	35	132	30	1,8
	NPT-SOL(LH)	1075ix-021-110											
	BSP-SAĞ(RH)	1075ix-021-209											
	BSP-SOL(LH)	1075ix-021-210											
	METRİK 27x1,5 SAĞ(RH)	1075ix-021-309											
	METRİK 27x1,5 SOL(LH)	1075ix-021-310											
DN25	NPT-SAĞ(RH)	1100ix-021-111	1"	3/4"	25	75	50	22	83	40	163	36	2,8
	NPT-SOL(LH)	1100ix-021-112											
	BSP-SAĞ(RH)	1100ix-021-211											
	BSP-SOL(LH)	1100ix-021-212											
	METRİK 35x1,5 SAĞ(RH)	1100ix-021-311											
	METRİK 35x1,5 SOL(LH)	1100ix-021-312											
DN32	NPT-SAĞ(RH)	1125ix-021-113	1-1/4"	1"	32	90	55	26	97	50	196	46	3,7
	NPT-SOL(LH)	1125ix-021-114											
	BSP-SAĞ(RH)	1125ix-021-213											
	BSP-SOL(LH)	1125ix-021-214											
DN40	NPT-SAĞ(RH)	1150ix-021-115	1-1/2"	1-1/4"	38	108	62	29	102	60	217	55	7,4
	NPT-SOL(LH)	1150ix-021-116											
	BSP-SAĞ(RH)	1150ix-021-215											
	BSP-SOL(LH)	1150ix-021-216											
	METRİK 50x1,5 SAĞ(RH)	1150ix-021-315											
	METRİK 50x1,5 SOL(LH)	1150ix-021-316											
DN50	NPT-SAĞ(RH)	1200ix-021-117	2"	1-1/2"	50	118	65	29	121	70	240	65	11
	NPT-SOL(LH)	1200ix-021-118											
	BSP-SAĞ(RH)	1200ix-021-217											
	BSP-SOL(LH)	1200ix-021-218											



### 1000 inox SERİSİ ÇİFT AKIŞLI / DOUFLOW

A		1000 inox		B	C	D	E	F	G	H	I	K	R	S	M	KG
ŞAFT ÖLÇÜSÜ (Shaft Size)	ŞAFT DIŞ TİPİ (Thread Type of Shaft)	MODEL NO														≈
DN10	3/8"	NPT-SAĞ (RH)	1037ix-021-105 D	3/8"	1/4"	10	45	30	14	59	22	110	1/8"	1/4"-1/8"	19	0,75
		NPT-SOL (LH)	1037ix-021-106 D													
		BSP-SAĞ (RH)	1037ix-021-205 D													
		BSP-SOL (LH)	1037ix-021-206 D													
DN15	1/2"	NPT-SAĞ (RH)	1050ix-021-107 D	1/2"	3/8"	15	53	33	15	66	25	121	1/4"-1/8"	3/8"-1/4"	22	1,55
		NPT-SOL (LH)	1050ix-021-108 D													
		BSP-SAĞ (RH)	1050ix-021-207 D													
		BSP-SOL (LH)	1050ix-021-208 D													
		METRİK 20x1,5 SAĞ (RH)	1050ix-021-307 D													
		METRİK 20x1,5 SOL (LH)	1050ix-021-308 D													
DN20	3/4"	NPT-SAĞ (RH)	1075ix-021-109 D	3/4"	1/2"	20	66	38	18	70	35	132	3/8"-1/4"	1/2"-3/8"	30	1,95
		NPT-SOL (LH)	1075ix-021-110 D													
		BSP-SAĞ (RH)	1075ix-021-209 D													
		BSP-SOL (LH)	1075ix-021-210 D													
		METRİK 27x1,5 SAĞ (RH)	1075ix-021-309 D													
		METRİK 27x1,5 SOL (LH)	1075ix-021-310 D													
DN25	1"	NPT-SAĞ (RH)	1100ix-021-111 D	1"	3/4"	25	75	50	22	83	40	163	1/2"-3/8"-1/4"	3/4"-1/2"	36	2,95
		NPT-SOL (LH)	1100ix-021-112 D													
		BSP-SAĞ (RH)	1100ix-021-211 D													
		BSP-SOL (LH)	1100ix-021-212 D													
		METRİK 35x1,5 SAĞ (RH)	1100ix-021-311 D													
		METRİK 35x1,5 SOL (LH)	1100ix-021-312 D													
DN32	1-1/4"	NPT-SAĞ (RH)	1125ix-021-113 D	1-1/4"	1"	32	90	55	26	97	50	196	3/4"-1/2"-3/8"	1"-3/4"	46	3,9
		NPT-SOL (LH)	1125ix-021-114 D													
		BSP-SAĞ (RH)	1125ix-021-213 D													
		BSP-SOL (LH)	1125ix-021-214 D													
DN40	1-1/2"	NPT-SAĞ (RH)	1150ix-021-115 D	1-1/2"	1-1/4"	38	108	62	29	102	60	217	1"-3/4"-1/2"	1-1/4"-1"	55	7,65
		NPT-SOL (LH)	1150ix-021-116 D													
		BSP-SAĞ (RH)	1150ix-021-215 D													
		BSP-SOL (LH)	1150ix-021-216 D													
		METRİK 50x1,5 SAĞ (RH)	1150ix-021-315 D													
		METRİK 50x1,5 SOL (LH)	1150ix-021-316 D													
DN50	2"	NPT-SAĞ (RH)	1200ix-021-117 D	2"	1-1/2"	50	118	65	29	121	70	240	1-1/4"-1"-3/4"	1-1/2"-1-1/4"	65	11
		NPT-SOL (LH)	1200ix-021-118 D													
		BSP-SAĞ (RH)	1200ix-021-217 D													
		BSP-SOL (LH)	1200ix-021-218 D													